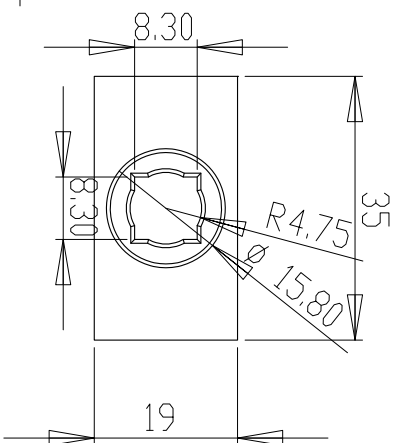
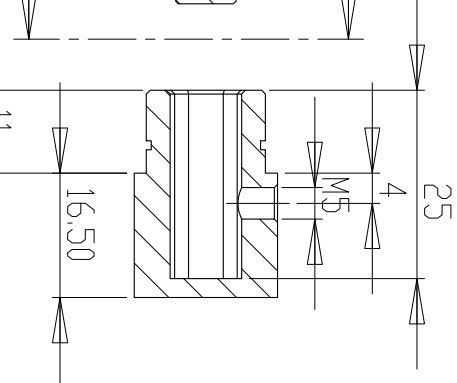
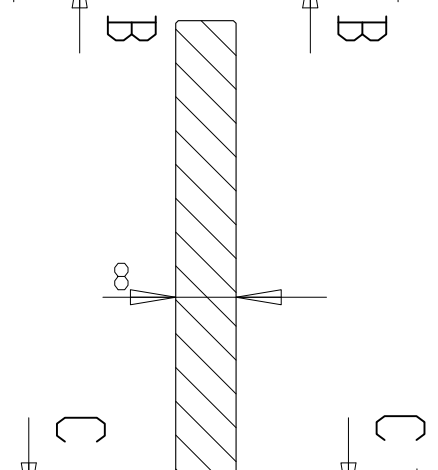
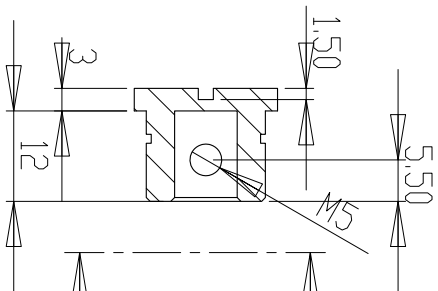
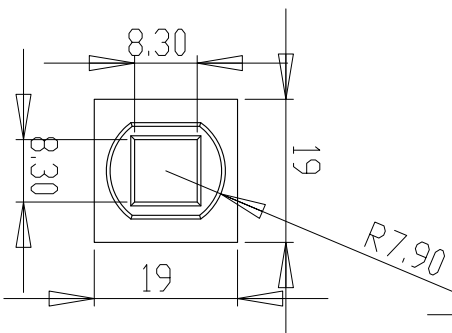
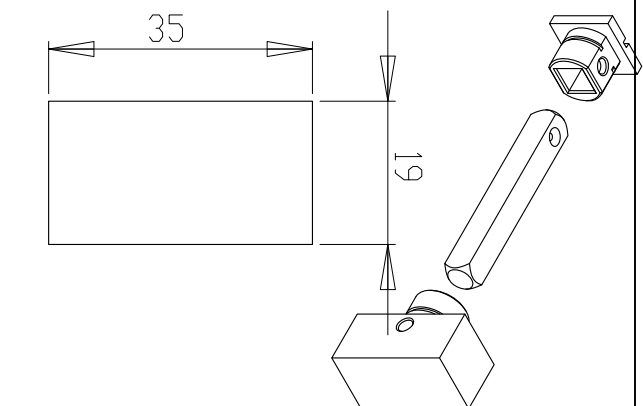
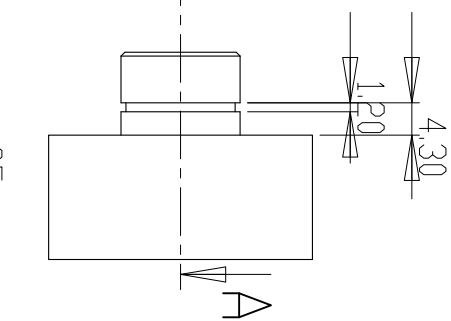
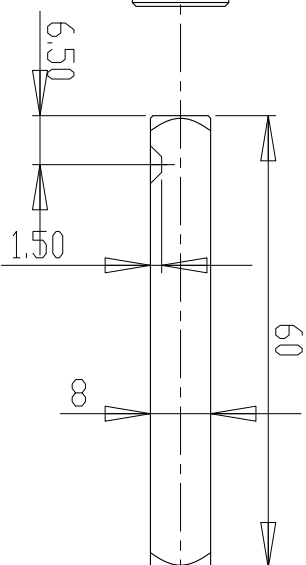
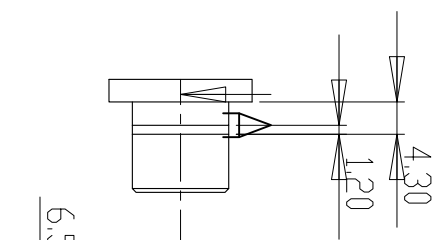
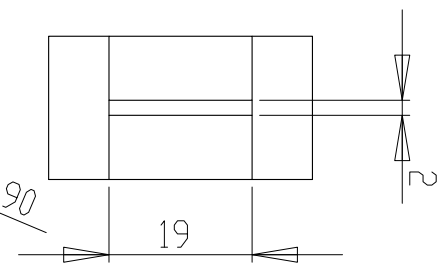


ALL DIMENSIONS IN MILLIMETER
UNLESS SPECIFIED



B-B
1:1

A-A
1:1

C-C
1:1

DESIGN AMENDMENT	D/A	NO.	ISSUE	DATE	DRAWN	SCALE	TITLE	PD NO.
							PEH15.9041N	
FINISH:					GEN. TOL.	CHECKED	DATE	MATERIAL:
ALL COPYRIGHT RESERVED								